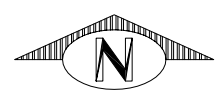


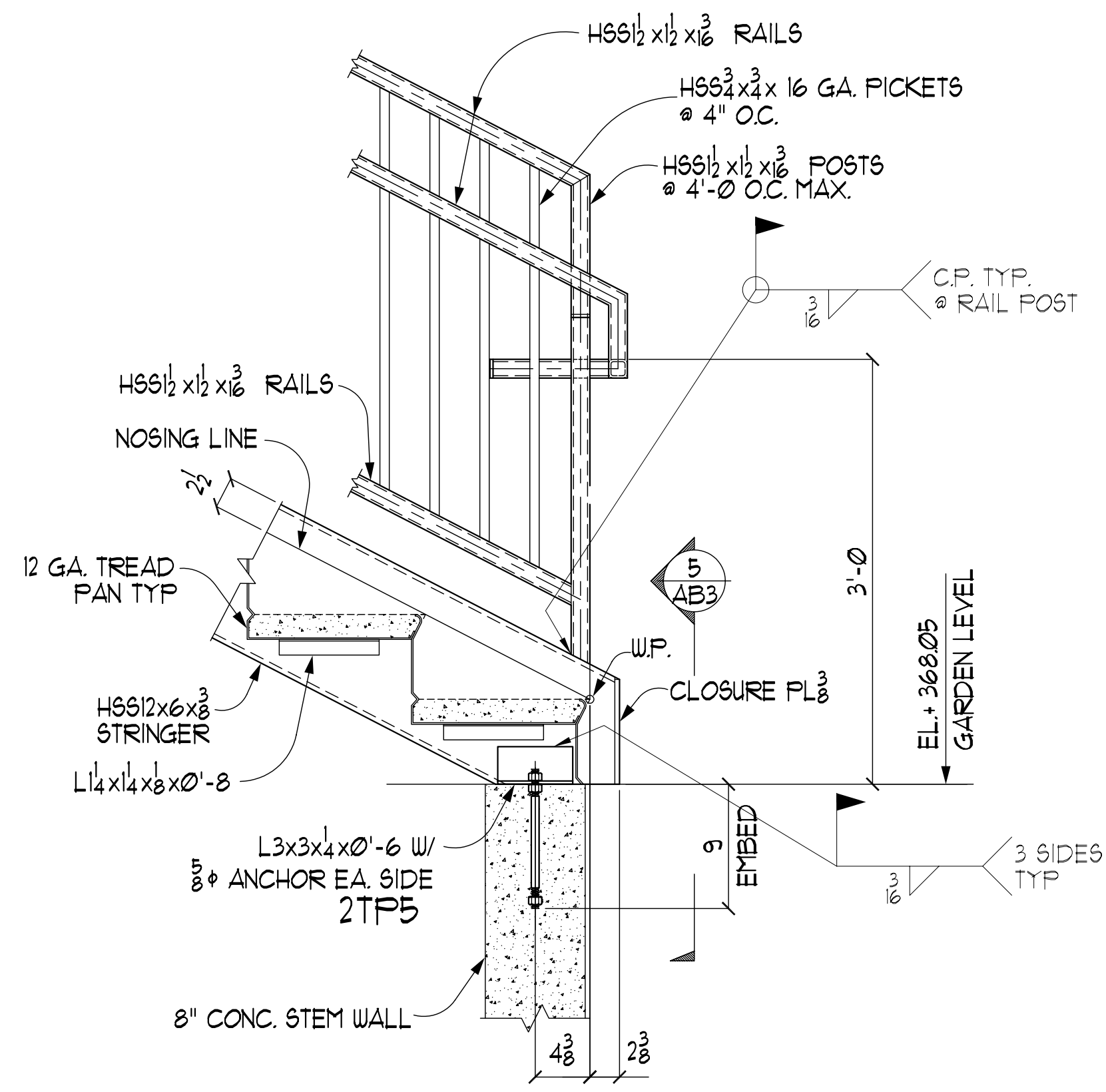
# SUNSET FLOOR FRAMING PLAN

NOTE: ALL ELEVATIONS SHOWN ON PLAN  
 T.O.S. = EL.+SEE PLAN  
 FROM FINISH FLOOR = EL.+0'-0" = +368.38'

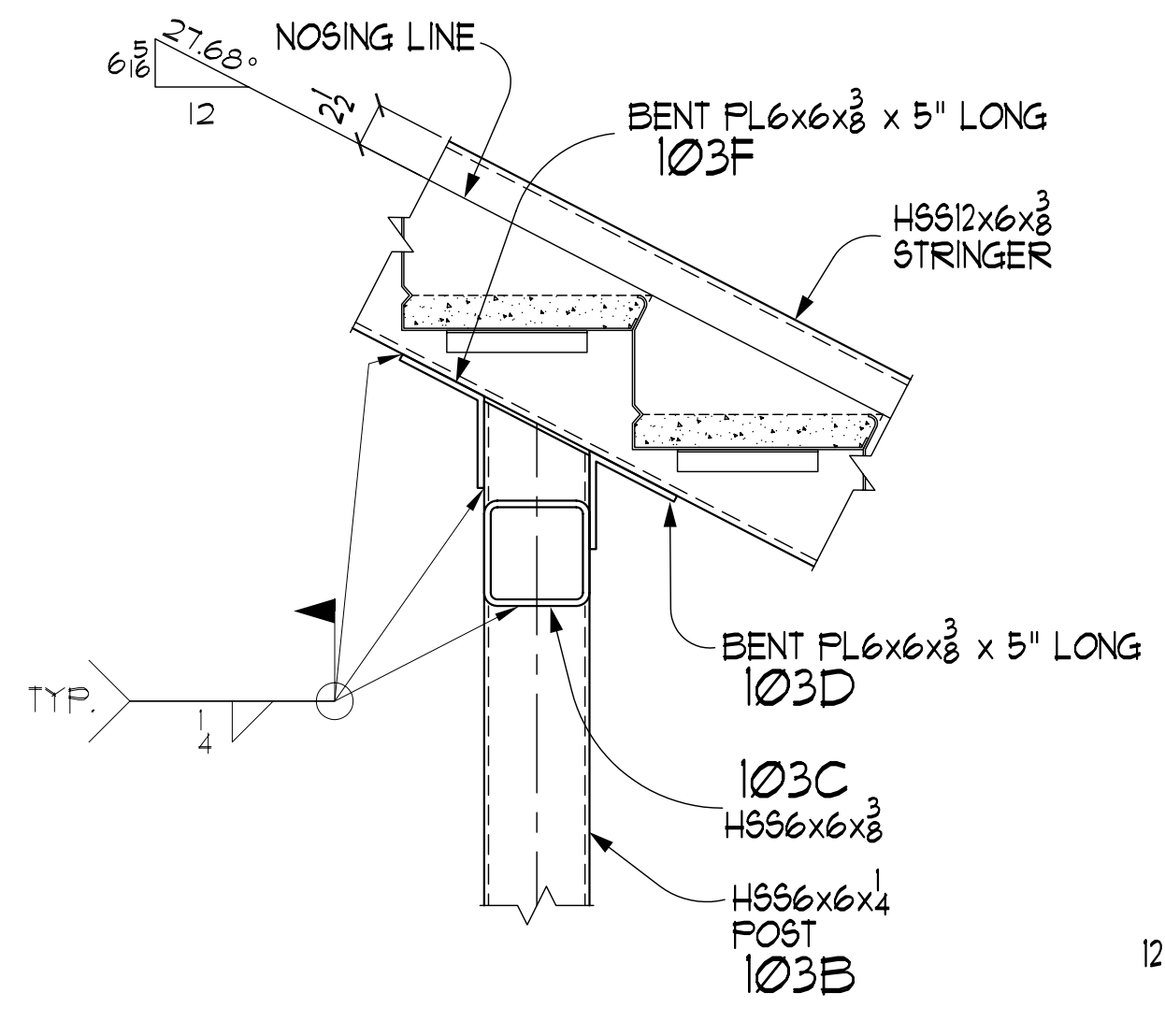


REV:			
REV:			
REV:	12-01-10	REVISED MARK ELEVATION OF 21E	
REV:	11-22-10	FOR FABRICATION	
REV:	11-05-10	RESUBMIT FOR APPROVAL	
REV:	10-18-10	FOR APPROVAL	
HOLES:	15/16" DIA. UNO	PAINT:	
<b>IRONMAN INC.</b> CONTRACTOR LICENSED #670390 20555 SUPERIOR ST. CHATSWORTH, CA 91311 TEL. # (818) 341-0980 TEL. # (818) 341-3485		BLUEPRINT NO. DATE FOR _____ _____ _____	
ARCH:	KILLEFER FLAMMANG	BKR:	JOHN LABIB + ASSOCIATES
CONTRACTOR:	ILLIG CONSTRUCTION COMPANY		DRN BY: REF DATE: 10/01/20
PROJECT:	SUNSET PLAZA		DATE: 10/14/11
LOCATION:	18600 SUNSET BOULEVA		JOB NO.: 10141
DRAWING TITLE:	SUNSET LEVEL FRAMING PLAN		SHEET NO.: E1

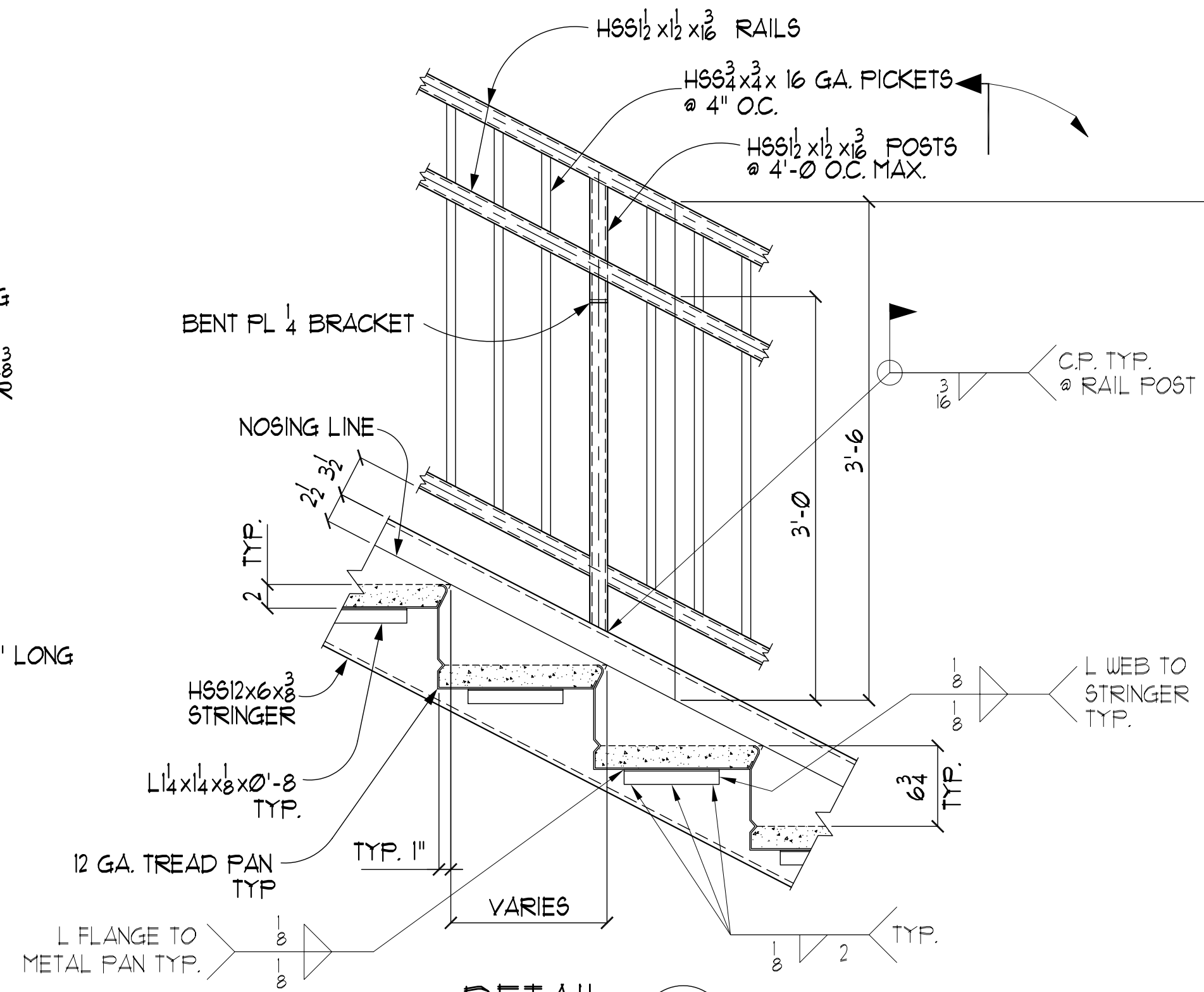




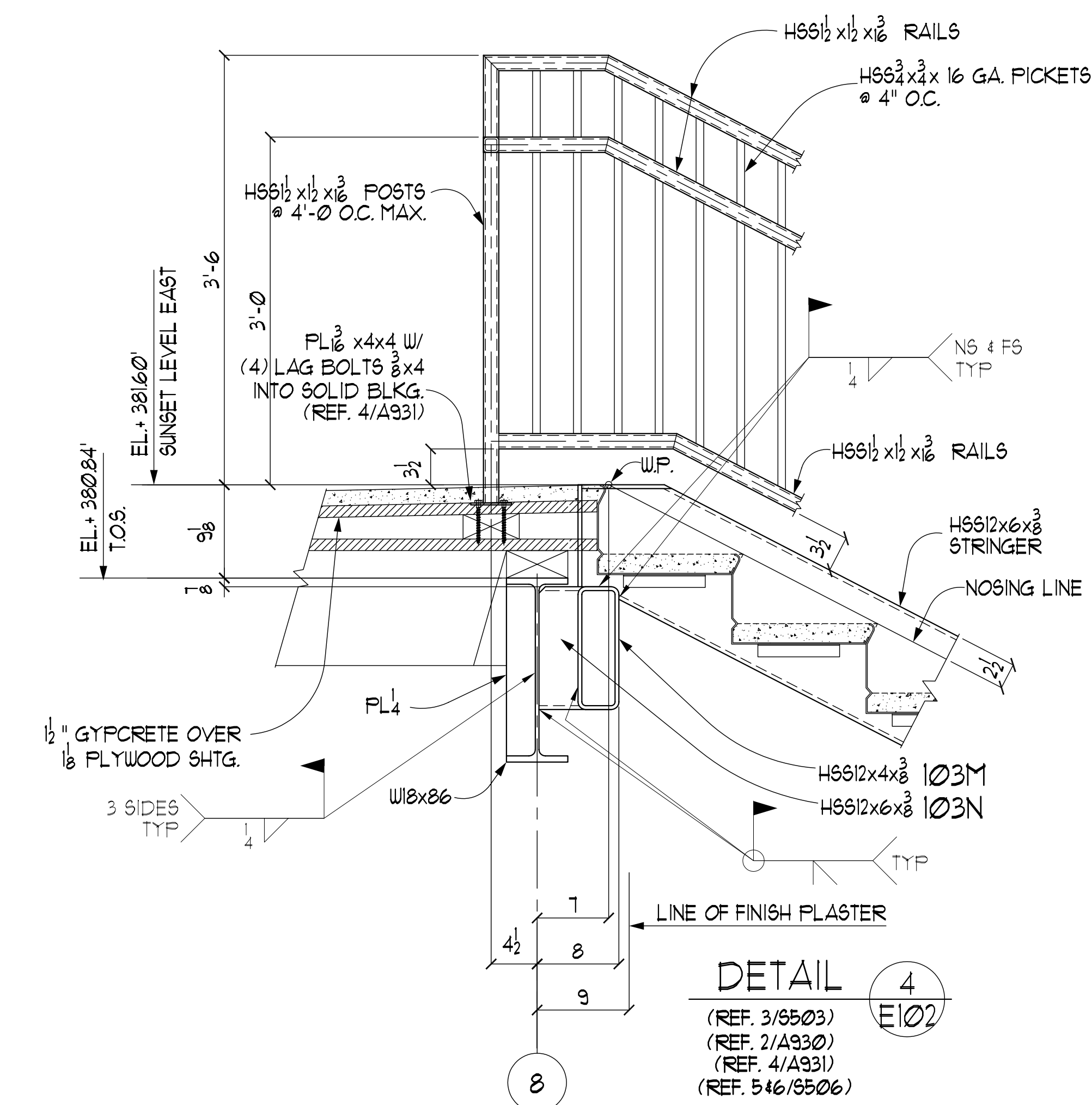
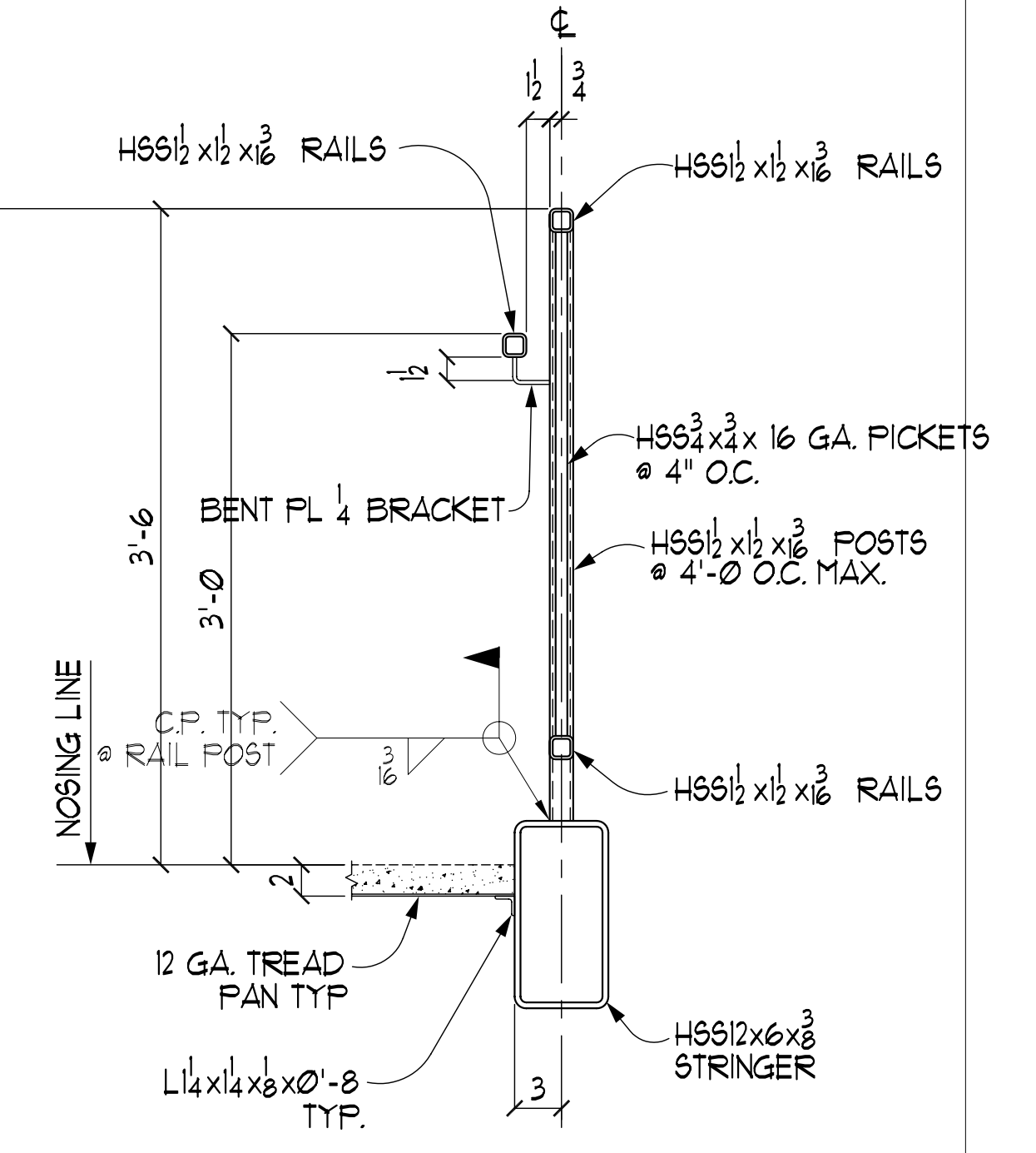
DETAIL 1  
(REF. 1/9503) E102



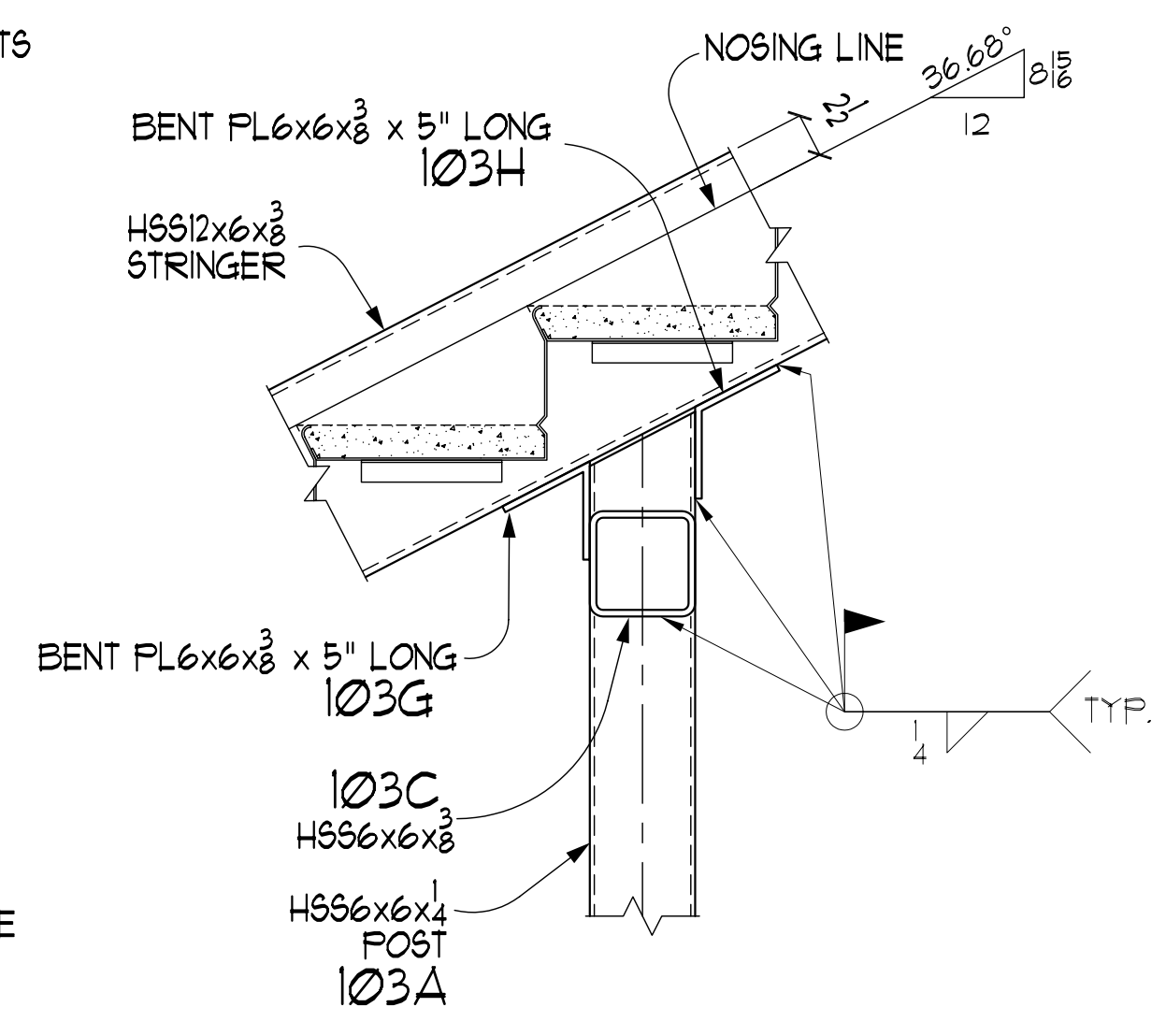
DETAIL 2  
(REF. 6/9503) E102



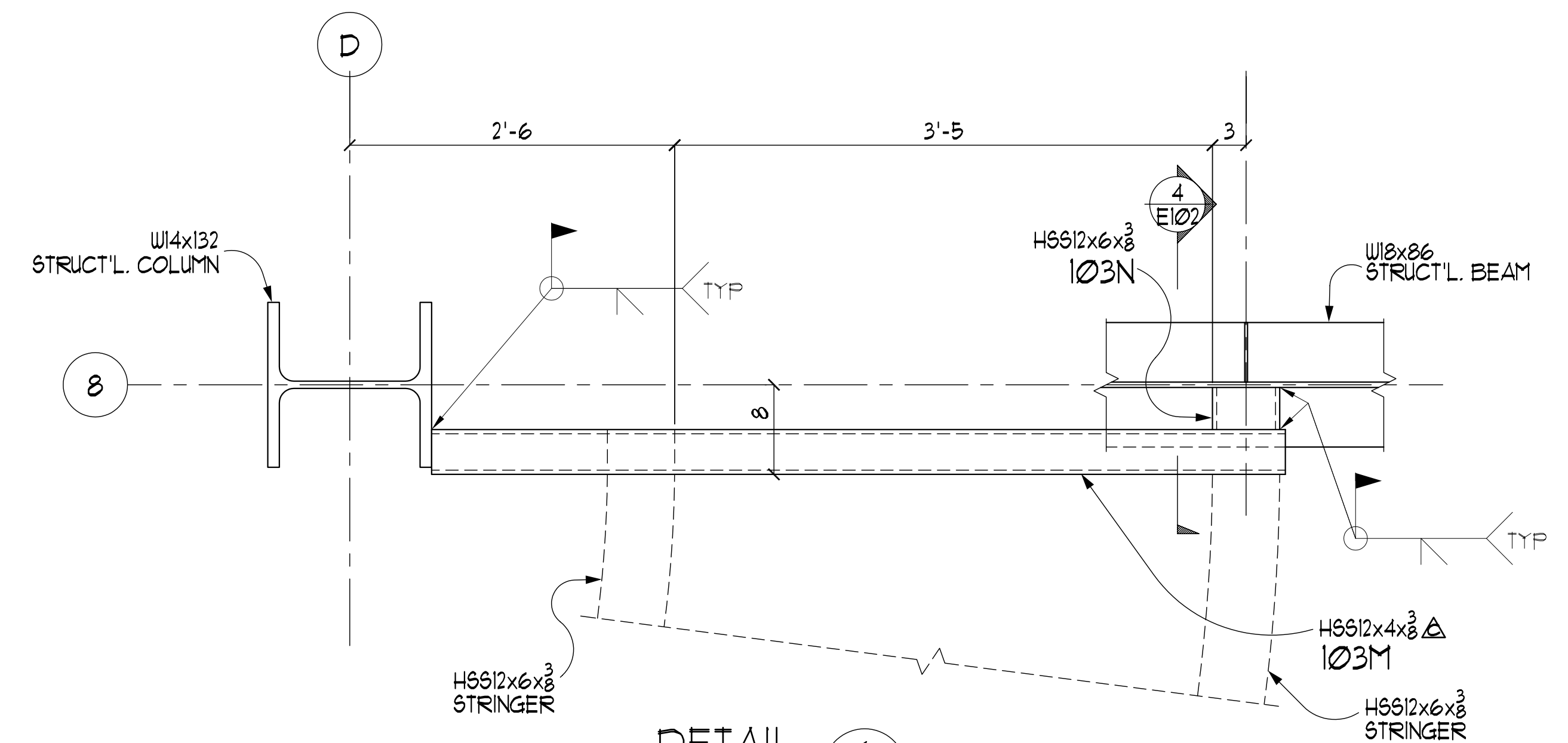
DETAIL 3  
(REF. 4/9503) E102



DETAIL 4  
(REF. 3/9503)  
(REF. 2/A930)  
(REF. 4/A931)  
(REF. 5/6/9506) E102

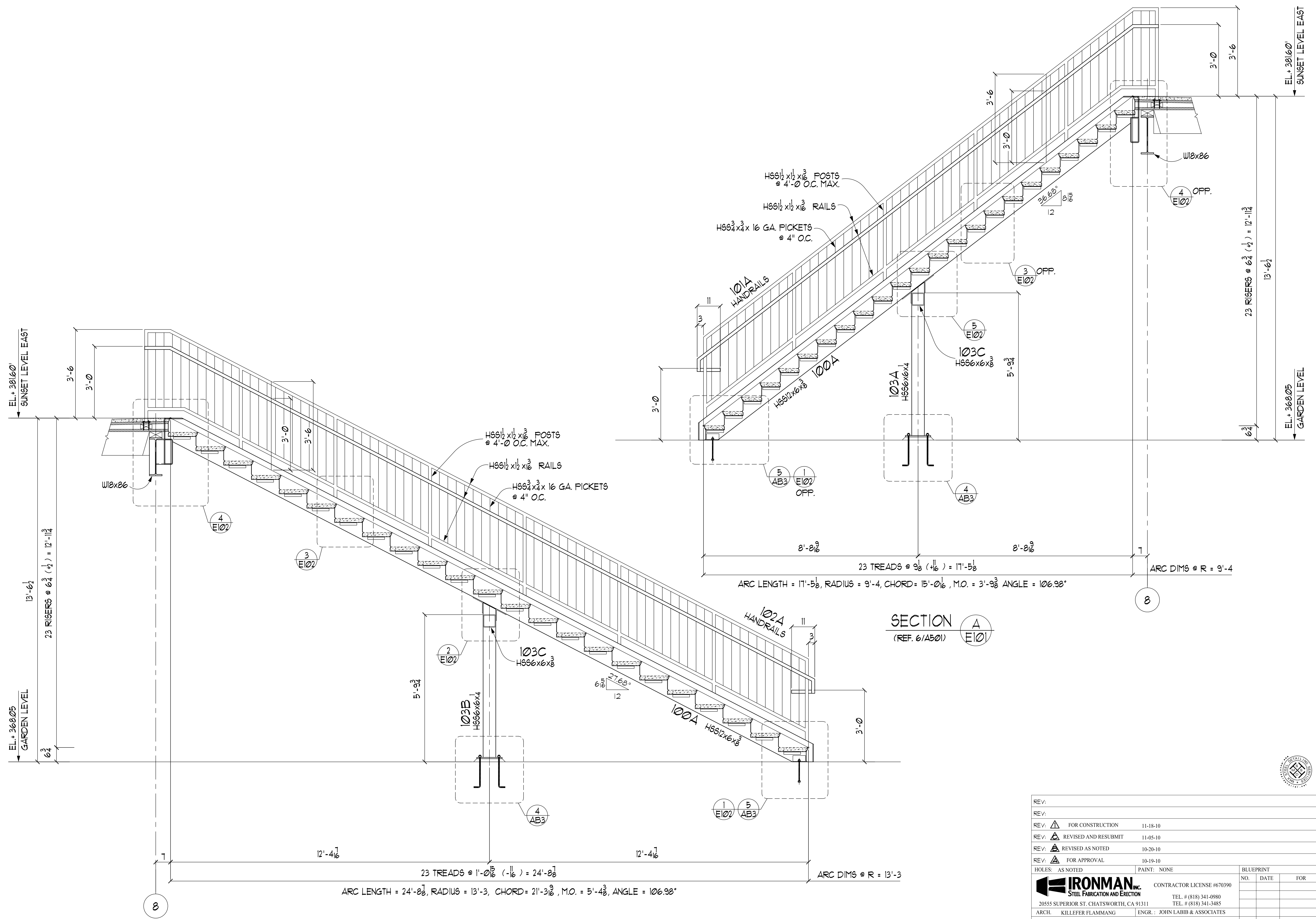


DETAIL 5  
(REF. 6/9503) E102



DETAIL 6  
(REF. 5/6/9506) E102

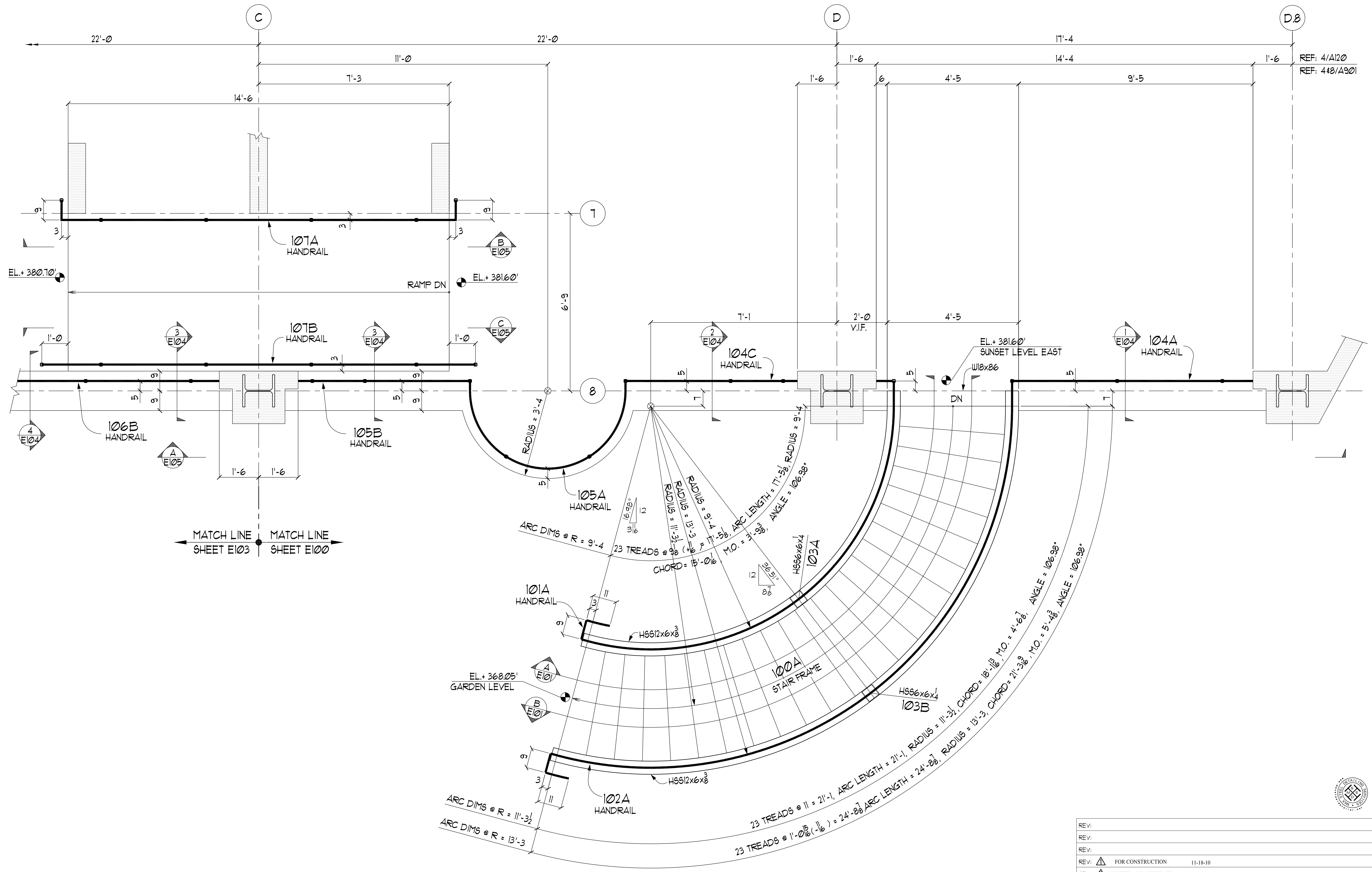
REV:	FOR CONSTRUCTION	11-18-10
REV:	REVISED AS NOTED	11-10-10
REV:	REVISED AND RESUBMIT	11-05-10
REV:	REVISED 103M SIZE	11-02-10
REV:	REVISED AS NOTED	10-20-10
REV:	FOR APPROVAL	10-19-10
HOLES: AS NOTED	PAINT: NONE	BLUEPRINT
<b>IRONMAN</b> STEEL FABRICATION AND ERECTION 20555 SUPERIOR ST. CHATSWORTH, CA 91311 ARCH. KILLEFER FLAMMANG ENGR.: JOHN LABIB & ASSOCIATES CONTRACTOR: ILLIG CONSTRUCTION COMPANY		CONTRACTOR LICENSE #670390 TEL. # (818) 341-0980 TEL. # (818) 341-3485 ENGR. : JOHN LABIB & ASSOCIATES SHEET NO. E102 DATE: 09-25-10 JOB NO.: 10141 SHEET TITLE: STAIR # 1 SECTIONS



**SECTION B**  
(REF. 61A501) **E101**

**SECTION A**  
(REF. 61A501) **E101**

REV:			
REV:	FOR CONSTRUCTION	11-18-10	
REV:	REVISED AND RESUBMIT	11-05-10	
REV:	REVISED AS NOTED	10-20-10	
REV:	FOR APPROVAL	10-19-10	
HOLES:	AS NOTED	PAINT:	NONE
		BLUEPRINT	
		NO.	DATE
		FOR	
<b>IRONMAN</b> STEEL FABRICATION AND ERECTION		CONTRACTOR LICENSE #670390 TEL. # (818) 341-0980 20555 SUPERIOR ST. CHATSWORTH, CA 91311 TEL. # (818) 341-3485	
ARCH.: KILLEFER FLAMMANG ENGR.: JOHN LABIB & ASSOCIATES		CONTRACTOR: <b>ILLIG CONSTRUCTION COMPANY</b>	
PROJECT:	SUNSET PLAZA	DATE:	09-25-10
LOCATION:	18600 SUNSET BOULEVARD., WEST HOLLYWOOD, CA 90069	JOB NO.:	10141
DRAWING TITLE:	STAIR # 1 SECTIONS	JOB:	
		SHEET NO.:	E101



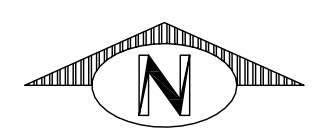
REF: 4/A120  
REF: 448/A901

MATCH LINE  
SHEET E103

MATCH LINE  
SHEET E100

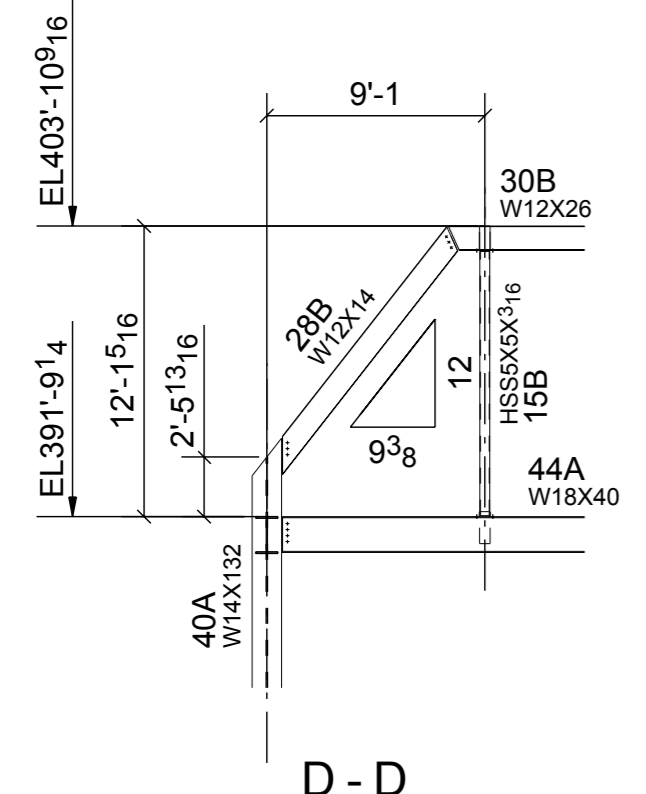
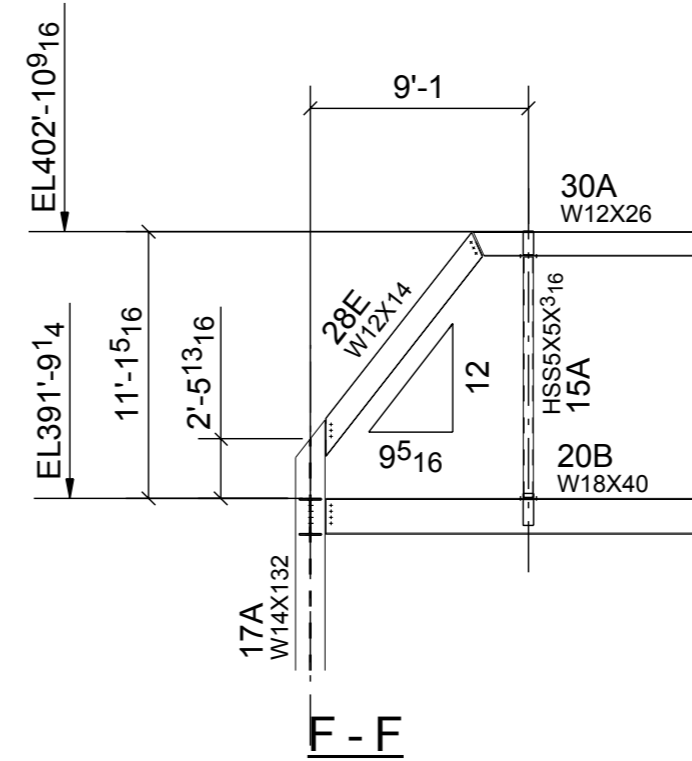
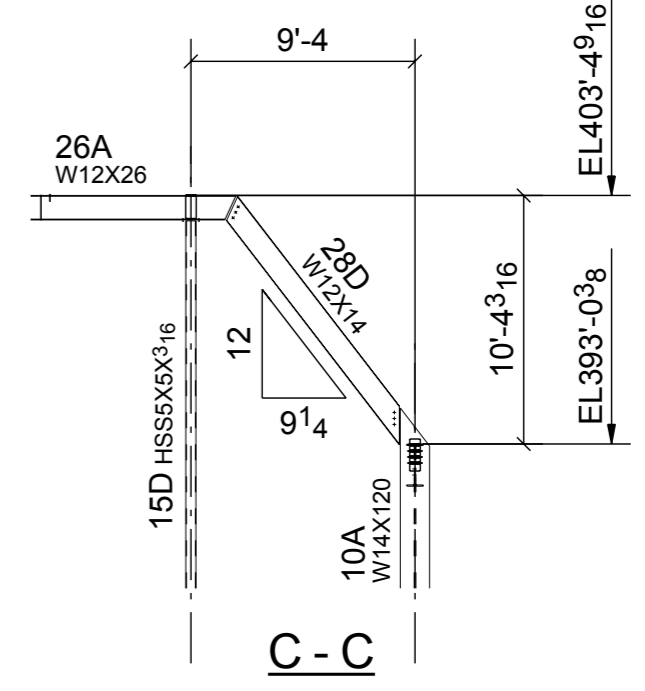
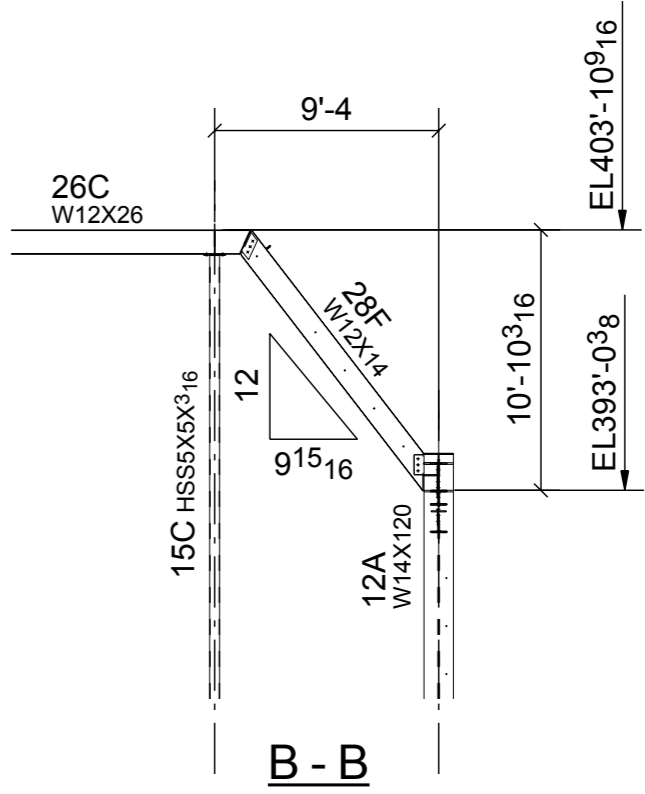
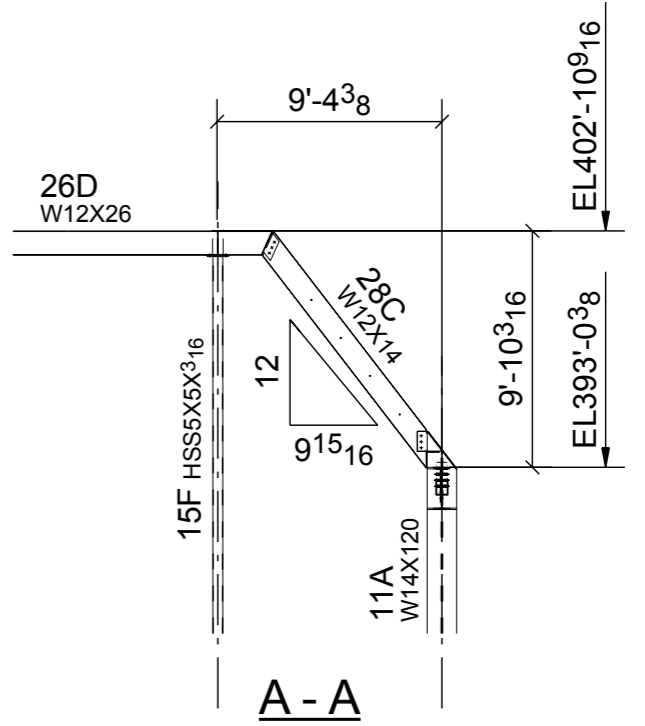
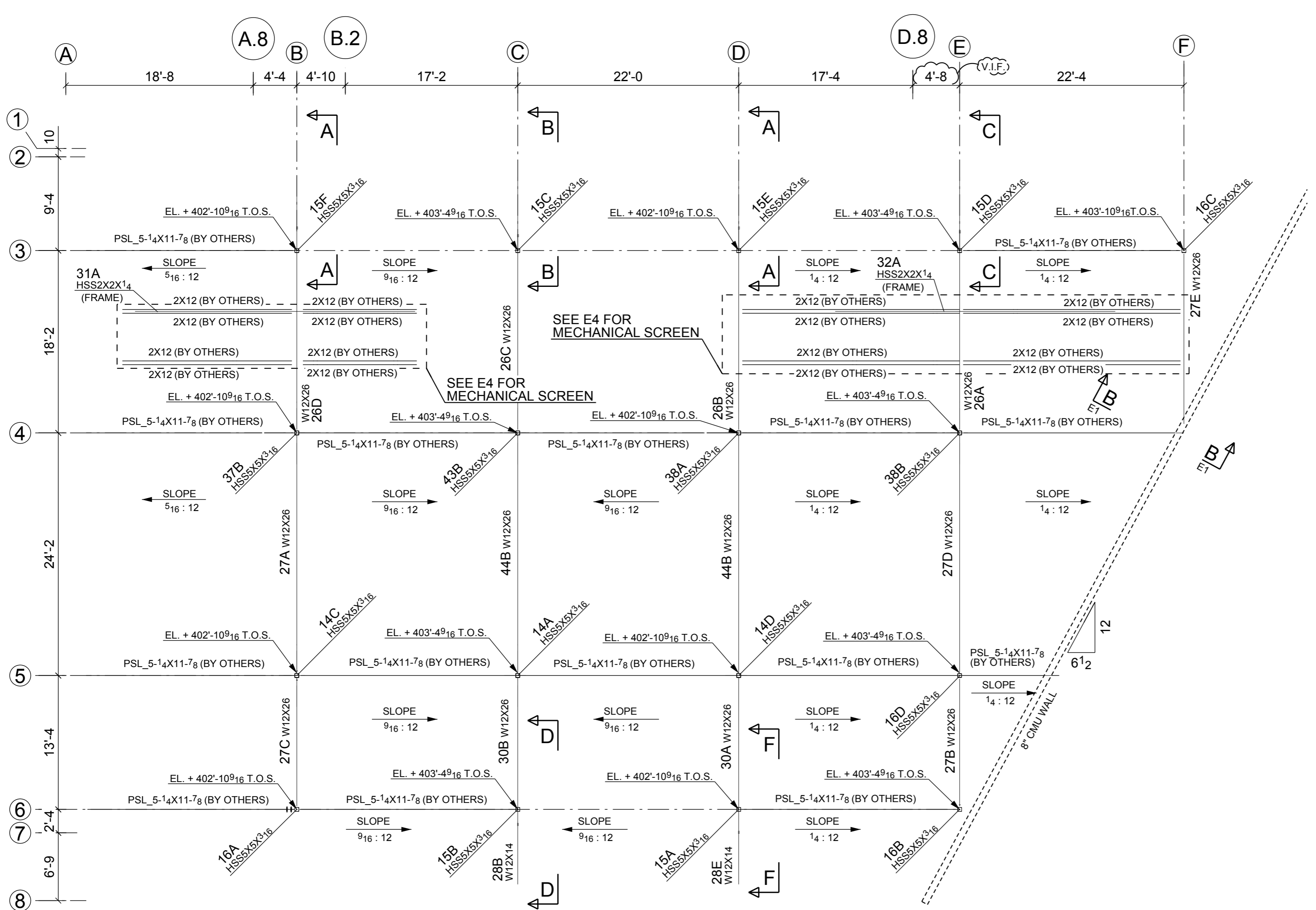
### STAIR # 1 FRAMING PLAN

NOTE: ALL ELEVATIONS SHOWN ON PLAN  
ARE FROM FINISH FLOOR = EL.+0'-0"  
(REF. 4/A501)



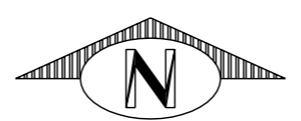
REV:			
REV:			
REV:			
REV:	FOR CONSTRUCTION	11-18-10	
REV:	REVISED AND RESUBMIT	11-05-10	
REV:	FOR APPROVAL	10-19-10	
HOLES:	AS NOTED	PAINT:	NONE
		BLUEPRINT	
		NO.	DATE
			FOR
		CONTRACTOR LICENSE #670390	
20555 SUPERIOR ST. CHATSWORTH, CA 91311		TEL. # (818) 341-0980	
ARCH. KILLEFER FLAMMANG		ENGR. JOHN LABIB & ASSOCIATES	
CONTRACTOR:		ILLIG CONSTRUCTION COMPANY	
PROJECT:	SUNSET PLAZA	DATE:	09-25-10
LOCATION:	18600 SUNSET BOULEVARD, WEST HOLLYWOOD, CA 90069	JOB NO.:	10141
DRAWING TITLE:	STAIR FRAMING PLAN	JOB:	
		SHEET NO.:	E100





**ROOF FRAMING PLAN**

NOTE: ALL ELEVATIONS SHOWN ON PLAN  
 T.O.S. = EL.+SEE PLAN  
 FROM FINISH FLOOR = EL.+0'-0" = +368.38'



FOR APPROVAL ONLY  
 NOT FOR CONSTRUCTION



REV:			
REV:			
REV:			
REV: A	11-22-10	FOR FABRICATION	
REV: B	11-05-10	REVISED AND RESUBMIT	
REV: C	10-18-10	FOR APPROVAL	
HOLES:	15/16" DIA. UNO	PAINT:	
<b>IRONMAN INC.</b> CONTRACTOR LICENSED #670390 20555 SUPERIOR ST. CHATSWORTH, CA 91311 TEL # (818) 341-0980 ARCH: KILLEFER FLAMMANG ENR: JOHN LABIB + ASSOCIATES TEL # (818) 341-3485			BLUEPRINT NO. DATE FOR _____ _____ _____
CONTRACTOR: ILLIG CONSTRUCTION COMPANY PROJECT: SUNSET PLAZA LOCATION: 18600 SUNSET BOULEVA DRAWING TITLE: ROOF FRAMING PLAN			DRN BY: _____ REF: _____ DATE: 10/04/20 JOB NO.: 10141 SHEET NO.: E3

